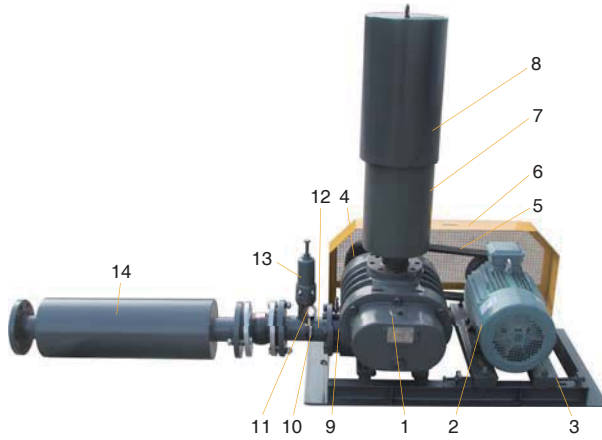


## Externality construction



NO.	ACCESSORIES
1	Blower body
2	Motor
3	Foundation
4	Pulley
5	Driving belt
6	Belt cover
7	Inlet silencer
8	Rain cover
9	Check valve
10	Gauge pipe
11	Outlet pressure gauge
12	T-joint
13	Safety valve
14	Outlet silencer

## Type description

NLD - 65

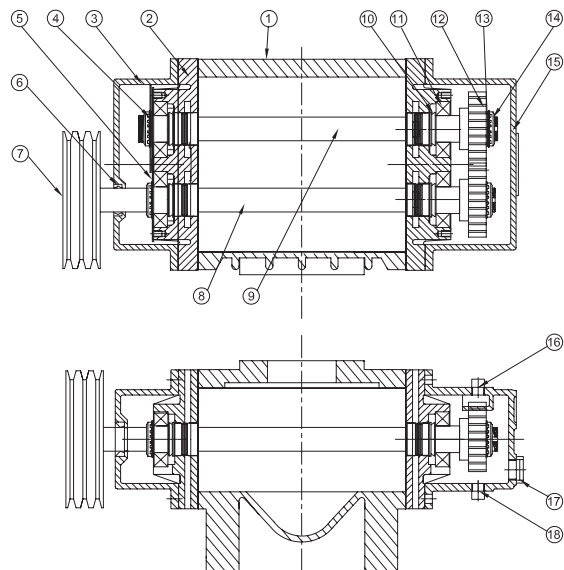
DIAMETER(mm)

(mm)

LOW PRESSURE THREE-LOBE ROOTS BLOWER

## Construction

NO.	NAME	MATERIAL
1	Casing	HT200
2	Bearing housing	HT200
3	Oilbox	HT200
4	Oil splash	Q235
5	Bearing washer	Q235
6	Framework oil seal	Viton
7	Pulley	HT200
8	Drive rotor	Assembly
9	Driven rotor	Assembly
10	V-ring	Viton
11	Bearing	SUJ2
12	Gear	SCM435
13	Lock washer	Q235
14	Lock nut	45
15	Gear box	HT200
16	Lubrication plug	45
17	Oil gauge	Assembly
18	Purge plug	45



Note: Different model has a little difference.

## Performance parameters

Qs(m<sup>3</sup>/min) Pressure(mmAq) La (kW)

Type	RPM	1000mmAq		2000mmAq		3000mmAq		4000mmAq		5000mmAq		6000mmAq	
		Qs	La	Qs	La	Qs	La	Qs	La	Qs	La	Qs	La
NLD-50	1200	1.57	0.33	1.39	0.66	1.22	1.00	1.04	1.33	0.92	1.66	0.82	1.99
	1300	1.72	0.36	1.55	0.72	1.37	1.08	1.20	1.44	1.08	1.80	0.98	2.16
	1400	1.88	0.39	1.70	0.77	1.53	1.16	1.35	1.55	1.24	1.93	1.13	2.32
	1500	2.03	0.41	1.86	0.83	1.69	1.24	1.51	1.66	1.39	2.07	1.29	2.49
	1600	2.19	0.44	2.01	0.88	1.84	1.33	1.67	1.77	1.55	2.21	1.44	2.65
	1700	2.34	0.47	2.17	0.94	2.00	1.41	1.82	1.88	1.70	2.35	1.60	2.82
	1800	2.50	0.50	2.32	1.00	2.15	1.49	1.98	1.99	1.86	2.49	1.76	2.99
	1900	2.66	0.53	2.48	1.05	2.31	1.58	2.13	2.10	2.01	2.63	1.91	3.15
	2000	2.81	0.55	2.64	1.11	2.46	1.66	2.29	2.21	2.17	2.76	2.07	3.32
	2100	2.97	0.58	2.79	1.16	2.62	1.74	2.44	2.32	2.33	2.90	2.22	3.48
	2200	3.12	0.61	2.95	1.22	2.78	1.82	2.60	2.43	2.48	3.04	2.38	3.65
	2300	3.28	0.64	3.10	1.27	2.93	1.91	2.76	2.54	2.64	3.18	2.53	3.81
2400	3.43	0.66	3.26	1.33	3.09	1.99	2.91	2.65	2.79	3.32	2.69	3.98	
NLD-65	900	1.76	0.41	1.42	0.83	1.09	1.24	0.86	1.66	0.70	2.07	0.60	2.49
	1000	2.02	0.46	1.68	0.92	1.35	1.38	1.12	1.84	0.96	2.30	0.86	2.76
	1100	2.27	0.51	1.94	1.01	1.61	1.52	1.38	2.03	1.22	2.53	1.12	3.04
	1200	2.53	0.55	2.20	1.11	1.87	1.66	1.64	2.21	1.48	2.76	1.38	3.32
	1300	2.79	0.60	2.46	1.20	2.13	1.80	1.90	2.40	1.74	2.99	1.64	3.59
	1400	3.05	0.64	2.71	1.29	2.39	1.93	2.16	2.58	2.00	3.22	1.90	3.87
	1500	3.31	0.69	2.97	1.38	2.65	2.07	2.41	2.76	2.26	3.46	2.16	4.15
	1600	3.57	0.74	3.23	1.47	2.91	2.21	2.67	2.95	2.52	3.69	2.42	4.42
	1700	3.83	0.78	3.49	1.57	3.16	2.35	2.93	3.13	2.78	3.92	2.68	4.70
	1800	4.09	0.83	3.75	1.66	3.42	2.49	3.19	3.32	3.04	4.15	2.94	4.98
	1900	4.35	0.88	4.01	1.75	3.68	2.63	3.45	3.50	3.30	4.38	3.20	5.25
	2000	4.61	0.92	4.27	1.84	3.94	2.76	3.71	3.69	3.56	4.61	3.45	5.53
2100	4.87	0.97	4.53	1.93	4.20	2.90	3.97	3.87	3.82	4.84	3.71	5.80	
2200	5.13	1.01	4.79	2.03	4.46	3.04	4.23	4.05	4.08	5.07	3.97	6.08	
2300	5.39	1.06	5.05	2.12	4.72	3.18	4.49	4.24	4.34	5.30	4.23	6.36	
2400	5.65	1.11	5.31	2.21	4.98	3.32	4.75	4.42	4.60	5.53	4.49	6.63	
NLD-80	900	2.31	0.54	2.06	1.08	1.93	1.62	1.82	2.16	1.66	2.70	1.54	3.23
	1000	2.65	0.60	2.39	1.20	2.26	1.80	2.15	2.40	2.00	2.99	1.88	3.59
	1100	2.99	0.66	2.73	1.32	2.60	1.98	2.49	2.64	2.34	3.29	2.21	3.95
	1200	3.33	0.72	3.07	1.44	2.94	2.16	2.83	2.87	2.67	3.59	2.55	4.31
	1300	3.66	0.78	3.41	1.56	3.28	2.34	3.17	3.11	3.01	3.89	2.89	4.67
	1400	4.00	0.84	3.74	1.68	3.61	2.52	3.50	3.35	3.35	4.19	3.22	5.03
	1500	4.34	0.90	4.08	1.80	3.95	2.70	3.84	3.59	3.69	4.49	3.56	5.39
	1600	4.68	0.96	4.42	1.92	4.29	2.87	4.18	3.83	4.02	4.79	3.90	5.75
	1700	5.01	1.02	4.75	2.04	4.63	3.05	4.51	4.07	4.36	5.09	4.24	6.11
	1800	5.35	1.08	5.09	2.16	4.96	3.23	4.85	4.31	4.70	5.39	4.57	6.47
	1900	5.69	1.14	5.43	2.28	5.30	3.41	5.19	4.55	5.03	5.69	4.91	6.83
	2000	6.02	1.20	5.77	2.40	5.64	3.59	5.53	4.79	5.37	5.99	5.25	7.19
2100	6.36	1.26	6.10	2.52	5.98	3.77	5.86	5.03	5.71	6.29	5.59	7.55	
2200	6.70	1.32	6.44	2.64	6.31	3.95	6.20	5.27	6.05	6.59	5.92	7.91	
2300	7.04	1.38	6.78	2.75	6.65	4.13	6.54	5.51	6.38	6.89	6.26	8.26	
2400	7.37	1.44	7.12	2.87	6.99	4.31	6.88	5.75	6.72	7.19	6.60	8.62	
NLD-100	750	3.53	0.80	3.11	1.59	2.76	2.39	2.30	3.19	1.96	3.99	1.67	4.78
	850	4.12	0.90	3.71	1.81	3.36	2.71	2.89	3.61	2.56	4.52	2.27	5.42
	950	4.72	1.01	4.31	2.02	3.96	3.03	3.49	4.04	3.16	5.05	2.87	6.06
	1050	5.32	1.12	4.90	2.23	4.56	3.35	4.09	4.46	3.76	5.58	3.47	6.70
	1150	5.92	1.22	5.50	2.45	5.16	3.67	4.69	4.89	4.36	6.11	4.06	7.34
	1250	6.52	1.33	6.10	2.66	5.76	3.99	5.29	5.32	4.96	6.64	4.66	7.97

## Performance parameters

Qs(m<sup>3</sup>/min) Pressure(mmAq) La (kW)

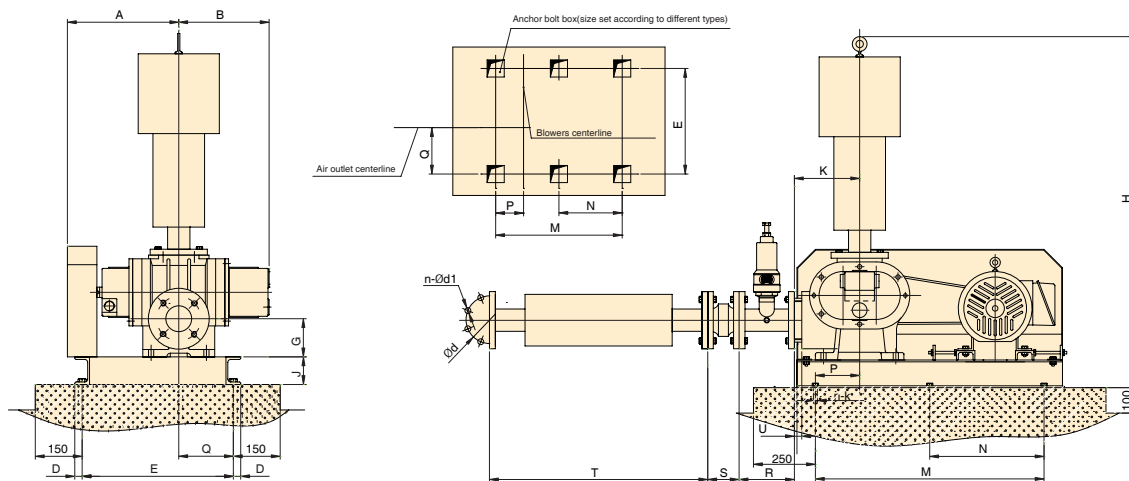
Type	RPM	1000mmAq		2000mmAq		3000mmAq		4000mmAq		5000mmAq		6000mmAq	
		Qs	La	Qs	La	Qs	La	Qs	La	Qs	La	Qs	La
NLD-100	1350	7.12	1.44	6.70	2.87	6.35	4.31	5.89	5.74	5.56	7.18	5.26	8.61
	1450	7.72	1.54	7.30	3.08	6.95	4.62	6.49	6.17	6.16	7.71	5.86	9.25
	1550	8.32	1.65	7.90	3.30	7.55	4.94	7.09	6.59	6.75	8.24	6.46	9.89
	1650	8.92	1.75	8.50	3.51	8.15	5.26	7.68	7.02	7.35	8.77	7.06	10.52
	1750	9.51	1.86	9.10	3.72	8.75	5.58	8.28	7.44	7.95	9.30	7.66	11.16
	1850	10.11	1.97	9.70	3.93	9.35	5.90	8.88	7.87	8.55	9.83	8.26	11.80
	1950	10.71	2.07	10.29	4.15	9.95	6.22	9.48	8.29	9.15	10.36	8.85	12.44
	2050	11.31	2.18	10.89	4.36	10.55	6.54	10.08	8.72	9.75	10.90	9.45	13.08
	2150	11.91	2.29	11.49	4.57	11.14	6.86	10.68	9.14	10.35	11.43	10.05	13.71
	2250	12.51	2.39	12.09	4.78	11.74	7.18	11.28	9.57	10.95	11.96	10.65	14.35
2350	13.11	2.50	12.69	5.00	12.34	7.49	11.88	9.99	11.54	12.49	11.25	14.99	
NLD-125	850	6.11	1.27	5.52	2.53	4.94	3.80	4.61	5.06	4.37	6.33	4.23	7.59
	950	6.95	1.41	6.36	2.83	5.78	4.24	5.45	5.66	5.21	7.07	5.07	8.48
	1050	7.79	1.56	7.19	3.13	6.62	4.69	6.29	6.25	6.05	7.81	5.91	9.38
	1150	8.62	1.71	8.03	3.42	7.46	5.13	7.13	6.85	6.89	8.56	6.75	10.27
	1250	9.46	1.86	8.87	3.72	8.29	5.58	7.96	7.44	7.73	9.30	7.59	11.16
	1350	10.30	2.01	9.71	4.02	9.13	6.03	8.80	8.04	8.57	10.05	8.42	12.06
	1450	11.14	2.16	10.55	4.32	9.97	6.47	9.64	8.63	9.40	10.79	9.26	12.95
	1550	11.98	2.31	11.38	4.61	10.81	6.92	10.48	9.23	10.24	11.53	10.10	13.84
	1650	12.82	2.46	12.22	4.91	11.65	7.37	11.32	9.82	11.08	12.28	10.94	14.73
	1750	13.65	2.60	13.06	5.21	12.49	7.81	12.16	10.42	11.92	13.02	11.78	15.63
	1850	14.49	2.75	13.90	5.51	13.32	8.26	12.99	11.01	12.76	13.77	12.62	16.52
	1950	15.33	2.90	14.74	5.80	14.16	8.71	13.83	11.61	13.60	14.51	13.45	17.41
	2050	16.17	3.05	15.58	6.10	15.00	9.15	14.67	12.20	14.43	15.25	14.29	18.31
	2150	17.01	3.20	16.41	6.40	15.84	9.60	15.51	12.80	15.27	16.00	15.13	19.20
2250	17.85	3.35	17.25	6.70	16.68	10.05	16.35	13.39	16.11	16.74	15.97	20.09	
2350	18.68	3.50	18.09	6.99	17.52	10.49	17.19	13.99	16.95	17.49	16.81	20.98	
NLD-150	1050	17.40	3.35	16.55	6.69	15.73	10.04	14.89	13.39	14.01	16.73	13.10	20.08
	1150	19.19	3.67	18.35	7.33	17.52	11.00	16.68	14.66	15.81	18.33	14.89	21.99
	1250	20.99	3.98	20.14	7.97	19.32	11.95	18.48	15.94	17.60	19.92	16.69	23.90
	1350	22.78	4.30	21.94	8.61	21.11	12.91	20.27	17.21	19.40	21.51	18.49	25.82
	1450	24.58	4.62	23.73	9.24	22.91	13.86	22.07	18.49	21.19	23.11	20.28	27.73
	1550	26.37	4.94	25.53	9.88	24.70	14.82	23.86	19.76	22.99	24.70	22.08	29.64
	1650	28.17	5.26	27.32	10.52	26.50	15.78	25.66	21.04	24.78	26.29	23.87	31.55
	1750	29.96	5.58	29.12	11.15	28.29	16.73	27.45	22.31	26.58	27.89	25.67	33.46
	1850	31.76	5.90	30.91	11.79	30.09	17.69	29.25	23.58	28.37	29.48	27.46	35.38
	1950	33.55	6.21	32.71	12.43	31.89	18.64	31.04	24.86	30.17	31.07	29.26	37.29
	2050	35.35	6.53	34.50	13.07	33.68	19.60	32.84	26.13	31.96	32.67	31.05	39.20
	2150	37.15	6.85	36.30	13.70	35.48	20.56	34.63	27.41	33.76	34.26	32.85	41.11
	2250	38.94	7.17	38.09	14.34	37.27	21.51	36.43	28.68	35.55	35.86	34.64	43.03
	2350	40.74	7.49	39.89	14.98	39.07	22.47	38.22	29.96	37.35	37.45	36.44	44.94
NLD-200	780	24.23	4.61	23.31	9.21	22.47	13.82	21.67	18.43	20.88	23.03	20.12	27.64
	830	25.90	4.90	24.97	9.80	24.13	14.71	23.33	19.61	22.55	24.51	21.79	29.41
	880	27.56	5.20	26.64	10.40	25.80	15.59	24.99	20.79	24.21	25.99	23.45	31.19
	990	31.22	5.85	30.30	11.69	29.46	17.54	28.65	23.39	27.87	29.24	27.11	35.08
	1050	33.22	6.20	32.29	12.40	31.45	18.61	30.65	24.81	29.87	31.01	29.11	37.21
	1100	34.88	6.50	33.96	12.99	33.12	19.49	32.31	25.99	31.53	32.48	30.77	38.98
	1180	37.54	6.97	36.62	13.94	35.78	20.91	34.97	27.88	34.19	34.85	33.43	41.82
	1250	39.87	7.38	38.95	14.77	38.11	22.15	37.30	29.53	36.52	36.91	35.76	44.30
	1320	42.20	7.80	41.27	15.59	40.44	23.39	39.63	31.19	38.85	38.98	38.09	46.78
	1390	44.53	8.21	43.60	16.42	42.76	24.63	41.96	32.84	41.18	41.05	40.42	49.26

## Performance parameters

Qs(m<sup>3</sup>/min) Pressure(mmAq) La (kW)

Type	RPM	1000mmAq		2000mmAq		3000mmAq		4000mmAq		5000mmAq		6000mmAq	
		Qs	La	Qs	La	Qs	La	Qs	La	Qs	La	Qs	La
NLD-200	1470	47.19	8.68	46.27	17.36	45.43	26.05	44.62	34.73	43.84	43.41	43.08	52.09
	1560	50.18	9.21	49.26	18.43	48.42	27.64	47.62	36.86	46.83	46.07	46.07	55.28
	1650	53.18	9.75	52.25	19.49	51.41	29.24	50.61	38.98	49.83	48.73	49.07	58.47
	1750	56.50	10.34	55.58	20.67	54.74	31.01	53.94	41.34	53.15	51.68	52.39	62.02
NLD-250	1000	44.97	8.48	43.32	16.97	41.72	25.45	40.08	33.94	38.38	42.42	36.61	50.90
	1100	49.75	9.33	48.10	18.67	46.50	28.00	44.86	37.33	43.16	46.66	41.39	56.00
	1200	54.52	10.18	52.88	20.36	51.28	30.54	49.64	40.72	47.94	50.90	46.17	61.09
	1300	59.30	11.03	57.66	22.06	56.06	33.09	54.42	44.12	52.72	55.15	50.95	66.18
	1400	64.08	11.88	62.43	23.76	60.83	35.63	59.20	47.51	57.50	59.39	55.72	71.27
	1480	67.90	12.56	66.26	25.11	64.66	37.67	63.02	50.23	61.32	62.78	59.55	75.34
	1560	71.73	13.24	70.08	26.47	68.48	39.71	66.84	52.94	65.14	66.18	63.37	79.41
	1650	76.03	14.00	74.38	28.00	72.78	42.00	71.14	56.00	69.44	69.99	67.67	83.99
NLD-300	700	54.70	10.56	51.92	21.12	49.22	31.67	46.45	42.23	43.58	52.79	40.58	63.35
	850	67.45	12.82	64.66	25.64	61.96	38.46	59.20	51.28	56.32	64.10	53.33	76.92
	1000	80.19	15.08	77.41	30.17	74.70	45.25	71.94	60.33	69.07	75.41	66.07	90.50
	1150	92.93	17.35	90.15	34.69	87.45	52.04	84.68	69.38	81.81	86.73	78.81	104.07
	1300	105.68	19.61	102.89	39.22	100.19	58.82	97.43	78.43	94.55	98.04	91.56	117.65
	1450	118.42	21.87	115.64	43.74	112.94	65.61	110.17	87.48	107.30	109.35	104.30	131.22
	1550	126.92	23.38	124.13	46.76	121.43	70.14	118.67	93.51	115.79	116.89	112.80	140.27

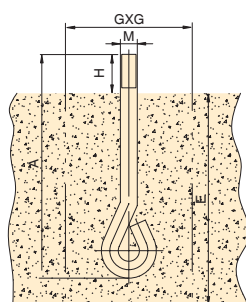
## Installation dimensions (horizontal outlet silencer)



(mm)

Type	A	B	D	E	G	H	J	K	M	N	P	Q	R	S	T	U	Ød	n-Ød1	n-k
NLD50	240	205	20	350	104	935	46	140	500	-	98	88	150	105	592	20	125	4-Ø18	
NLD65	302	245	20	410	112	951	80	157	620	-	119	148	150	115	596	24	145	4-Ø18	4-M12x160
NLD80	315	275	20	410	114	1224	80	152	620	-	117	138	180	135	796	24	160	4-Ø18	
NLD100	405	300	20	510	107	1404	80	180	670	-	112	160	180	150	796	24	180	4-Ø18	
NLD125	467	350	20	560	107	1878	100	180	760	-	90	233	250	165	1260	25	210	4-Ø18	4-M16x220
NLD150	500	430	22	556	168	2150	120	250	900	-	138	278	250	180	1264	26	240	4-Ø22	
NLD200	550	440	20	710	185	2264	160	356	1300	650	310	400	250	190	1644	28	295	4-Ø22	
NLD250	620	530	30	940	195	2574	160	345	1300	650	313	454	250	230	1748	28	350	12-Ø22	6-M20x300
NLD300	760	685	30	940	255	2699	160	362	1530	765	500	245	300	250	1848	181	400	12-Ø22	

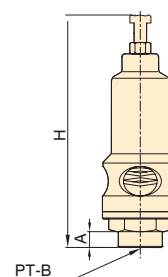
## Anchor bolt



(mm)

M	A	H	E	GxG	Application type
Anchor bolt GB799-88					
M12	160	36	224	100x100	LRB-50,65,80
M16	220	45	275	120x120	LRB-100,125,150
M20	300	55	345	150x150	LRB-200,250,300

## Safety valve



(mm)

Type	A	H	Application type	Weight (kg)
SV1 1/4"	25	150	LRB-50,65,80	1.6
SV2"	25	180	LRB-100,125,150	2.5
SV3"	30	250	LRB-200	5.0
SV4"	25	316	LRB-250,300	8.5

Note: 1. The note E on the drawing is the minimum size, it shall be deepened properly according to the soil condition in the installation place.

2. GxG is the size of the preformed holes for the secondary casting.